



# Box Fillers

Quality Handling Equipment

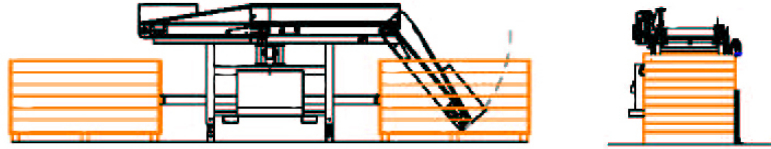


A Range of Gentle High Speed Fillers for many box sizes  
see specification details overleaf  
Easy-Fill models up to 30tph capacity



# Box Fillers

## Specification Data

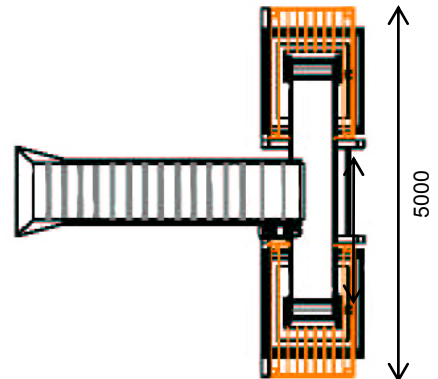
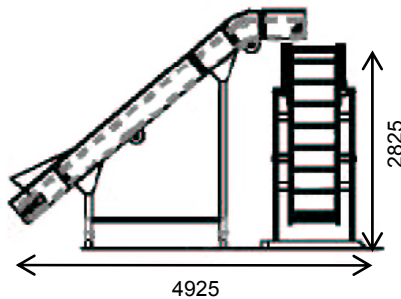
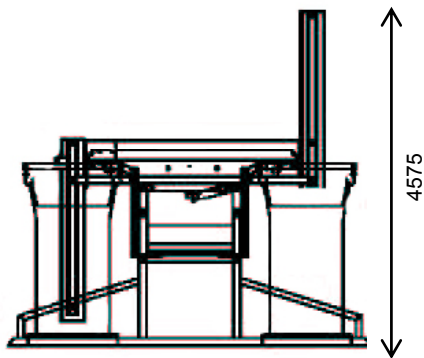


Easy-Fill Box Filler Models

Model	Overall Length	Centre Section	End Sections	Maximum Box Height	Min/Max Box Length
Mini	5700	1800	1275	1050	1400/1800
Midi	6300	1800	1575	1200	1600/1800
Maxi	6900	2400	1575	1200	1600/1800
Mega	8650	3000	1875	1200	1800/2400



Uni-Fill Big Bag Box Filler



EXCLUSIVE  
USA DISTRIBUTOR



Produce Handling Equipment & Supplies  
Vidalia, Georgia USA  
912-526-6199 Toll Free: 888-742-6199  
[www.sgaequip.com](http://www.sgaequip.com)